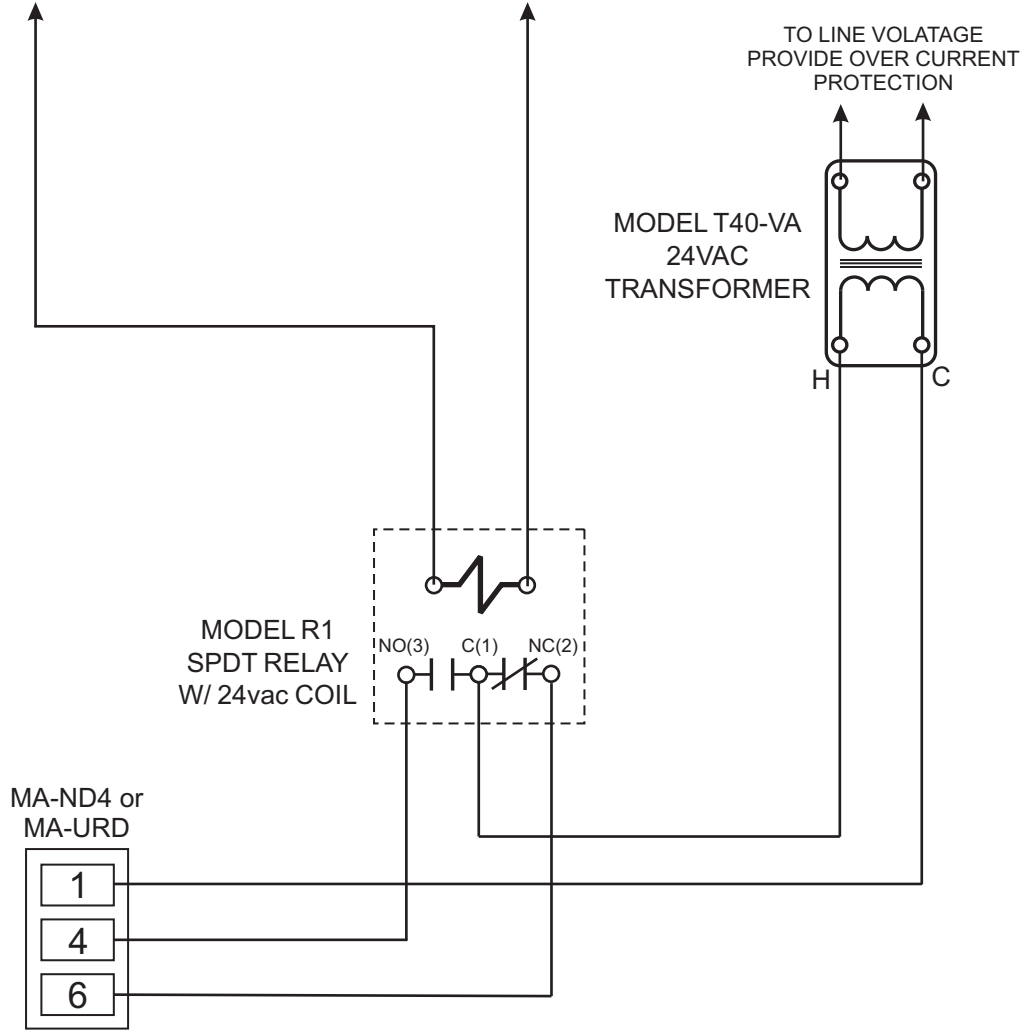


WIRING DIAGRAM

To "Y" cooling terminal
inside Furnace/Airhandler

To 24vac Common Terminal
inside Furnace/Airhandler



*DAMPER WILL OPEN TO BRING IN FRESH AIR / COMBUSTION AIR WHEN COOLING IS ACTIVATED.

EWC[®]

CONTROLS INC.

Englishtown, NJ 07726

DRAWING BY:
EDK

DWG NAME: MODEL ND/URD DAMPER – FRESH AIR
APPLICATION, OPEN WHEN COOLING

DATE:
07/01/09

SIZE:
A

REV:
B

DWG NO:
090512A0059

SHEET: 1 OF 1

COPYRIGHT © EWC CONTROLS INC.
ALL RIGHTS RESERVED

DISCLAIMER: EWC Controls Inc., Cannot be held liable for the use or misuse of this supplied information. It is the responsibility of the user to determine the suitability of the application. Malfunctions, improper operation, and/or subsequent damage to any related equipment or property damage as a result of using this supplied information is the responsibility of the user. EWC Controls Inc., is not responsible for any misapplications including, but not limited to negligence, defect in products(s), system incompatibility, poor workmanship and/or installation.