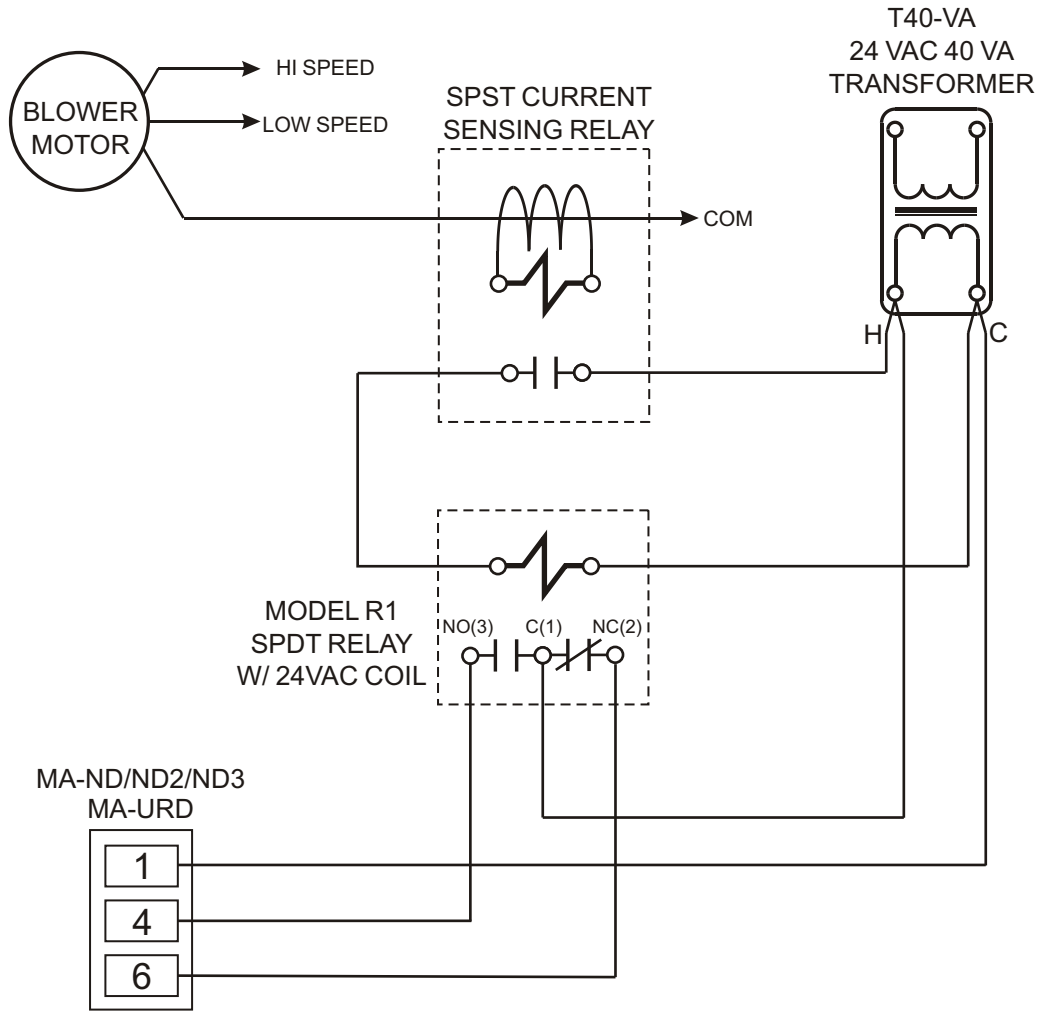



WIRING DIAGRAM



*DAMPER WILL OPEN TO BRING IN FRESH AIR / COMBUSTION AIR WHENEVER BLOWER ENERGIZES

 EWC [®] CONTROLS INC. Englishtown, NJ 07726	DWN ENG:	EDK	DWG NAME:	MODEL ND/URD DAMPER WIRED AS FRESH AIR INTAKE				
	SIZE:	A	DATE:	2/12/04	DWG NO:	090512A0044	REV:	C
	SCALE:	NOT TO SCALE	COPYRIGHT © EWC CONTROLS INC. ALL RIGHTS RESERVED		SHEET:	1 OF 1		