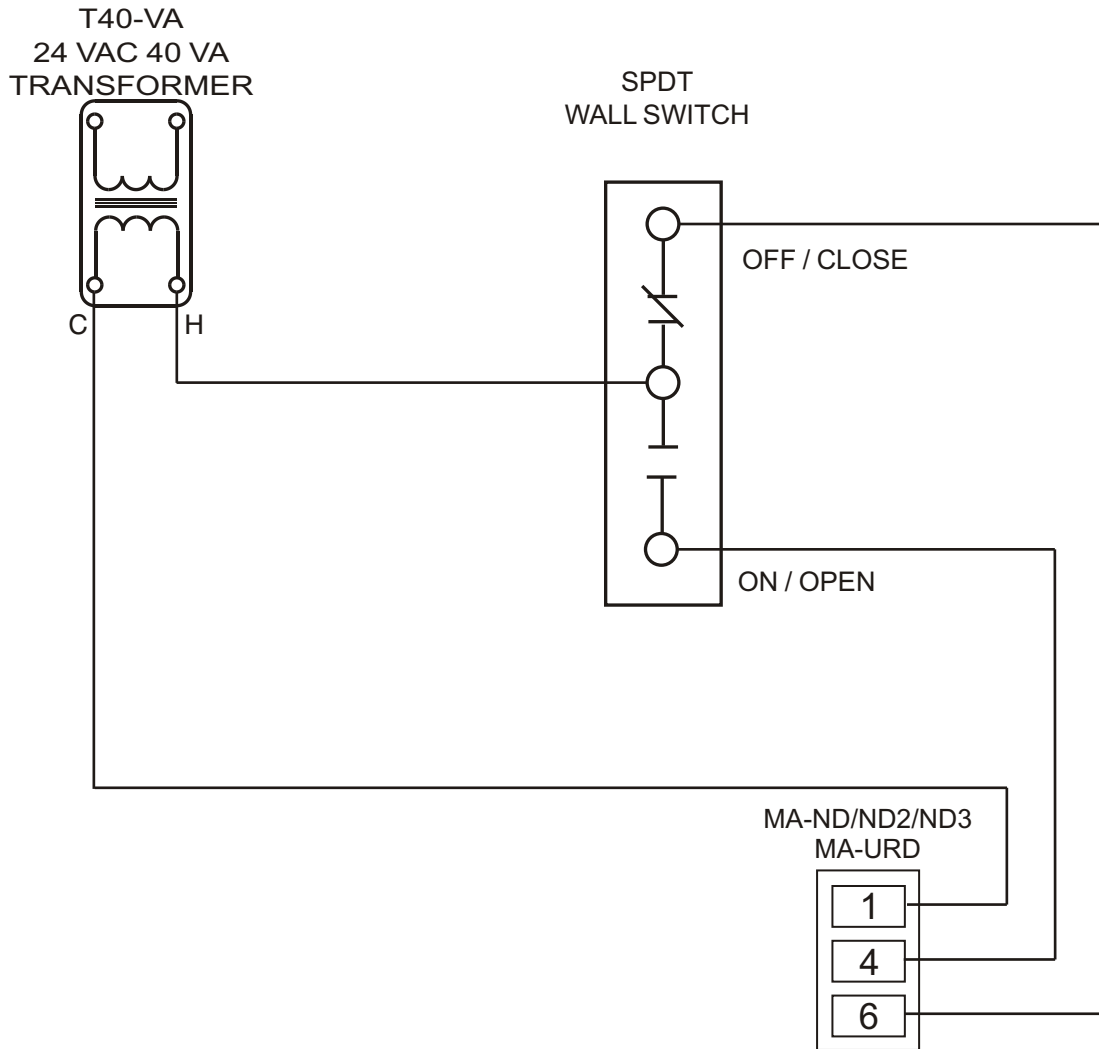


# WIRING DIAGRAM

MANUAL OPERATION OF POWER OPEN / POWER CLOSE DAMPER



<b>EWC</b> <sup>®</sup> <b>CONTROLS INC.</b> Englishtown, NJ 07726	DWN ENG:	EDK	DWG NAME:	MODEL ND/URD DAMPER WIRED WITH SPDT SWITCH				
	SIZE:	A	DATE:	01/22/04	DWG NO:	090512A0043	REV:	B
	SCALE:	NOT TO SCALE	COPYRIGHT © EWC CONTROLS INC. ALL RIGHTS RESERVED		SHEET:	1 OF 1		