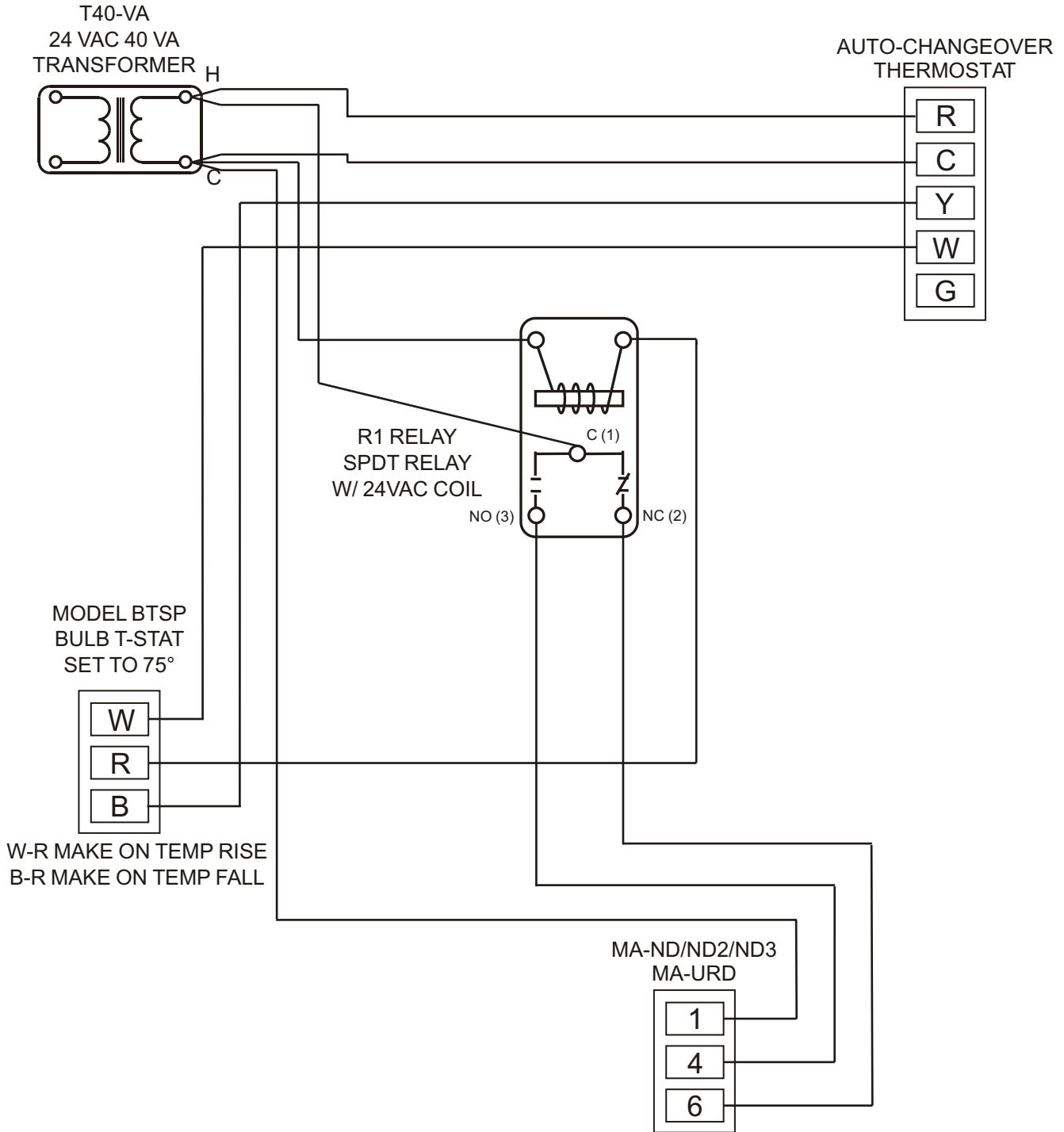


# WIRING DIAGRAM



\*THIS WIRING SET-UP PREVENTS DAMPER FROM OPENING IF THE THERMOSTAT IS CALLING FOR HEAT WHEN THE SUPPLY AIR TEMPERATURE IS COLD AND VISE VERSA

<p><b>EWC</b><sup>®</sup> CONTROLS INC. Englishtown, NJ 07726</p>	DWN ENG: EDK	DWG NAME: MODEL ND/URD DAMPER USED WITH AUTO-CHANGEOVER T'STAT		
	SIZE: A	DATE: 01/22/04	DWG NO: 090512A0042	REV: B
	SCALE: NOT TO SCALE	COPYRIGHT © EWC CONTROLS INC. ALL RIGHTS RESERVED		SHEET: 1 OF 1