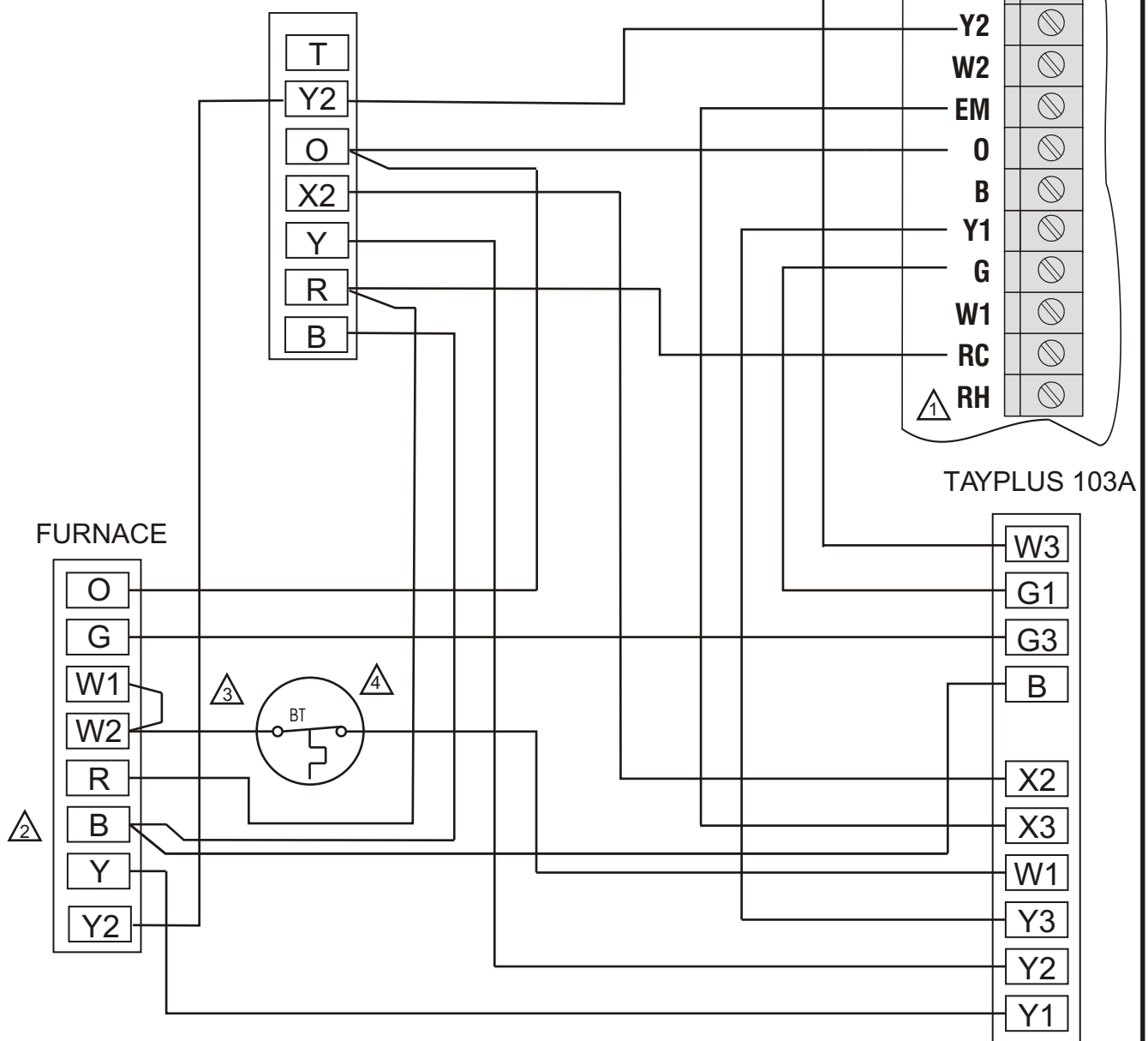


WIRING DIAGRAM

SINGLE STAGE HEATPUMP W/ 1 OR 2 STAGE FURNACE

UZC-3C
HVAC SYSTEM
OUTPUT


HEATPUMP
OUTDOOR UNIT



TAYPLUS 103A

FURNACE

- ⚠️ 1 NO JUMPER REQUIRED IF RC/RH LINK IS NOT CUT
- ⚠️ 2 DO NOT CONNECT 'B' TO UZC-3C
- ⚠️ 3 THIS JUMPER REQUIRED ONLY FOR 2 STAGE FURNACE APPLICATIONS
- ⚠️ 4 BONNET THERMOSTAT MODEL TAYPLUS101A REQUIRED FOR OIL FURNACE APPLICATIONS

 Englishtown, NJ 07726	DRAWING BY: DJH		DWG NAME: UZC-3C DUAL FUEL -- W/ TAYPLUS103A 2 STAGE HEATPUMP - NON-RESTRICTED		DATE: 04/28/04	
	SIZE: A	REV: B	DWG NO: 090512A0031			DISCLAIMER: EWC Controls Inc., Cannot be held liable for the use or misuse of this supplied information. It is the responsibility of the user to determine the suitability of the application. Malfunctions, improper operation, and/or subsequent damage to any related equipment or property damage as a result of using this supplied information is the responsibility of the user. EWC Controls Inc., is not responsible for any misapplications including, but not limited to negligence, defect in products(s), system incompatibility, poor workmanship and/or installation.
	SHEET: 1 OF 1		COPYRIGHT © EWC CONTROLS INC. ALL RIGHTS RESERVED			