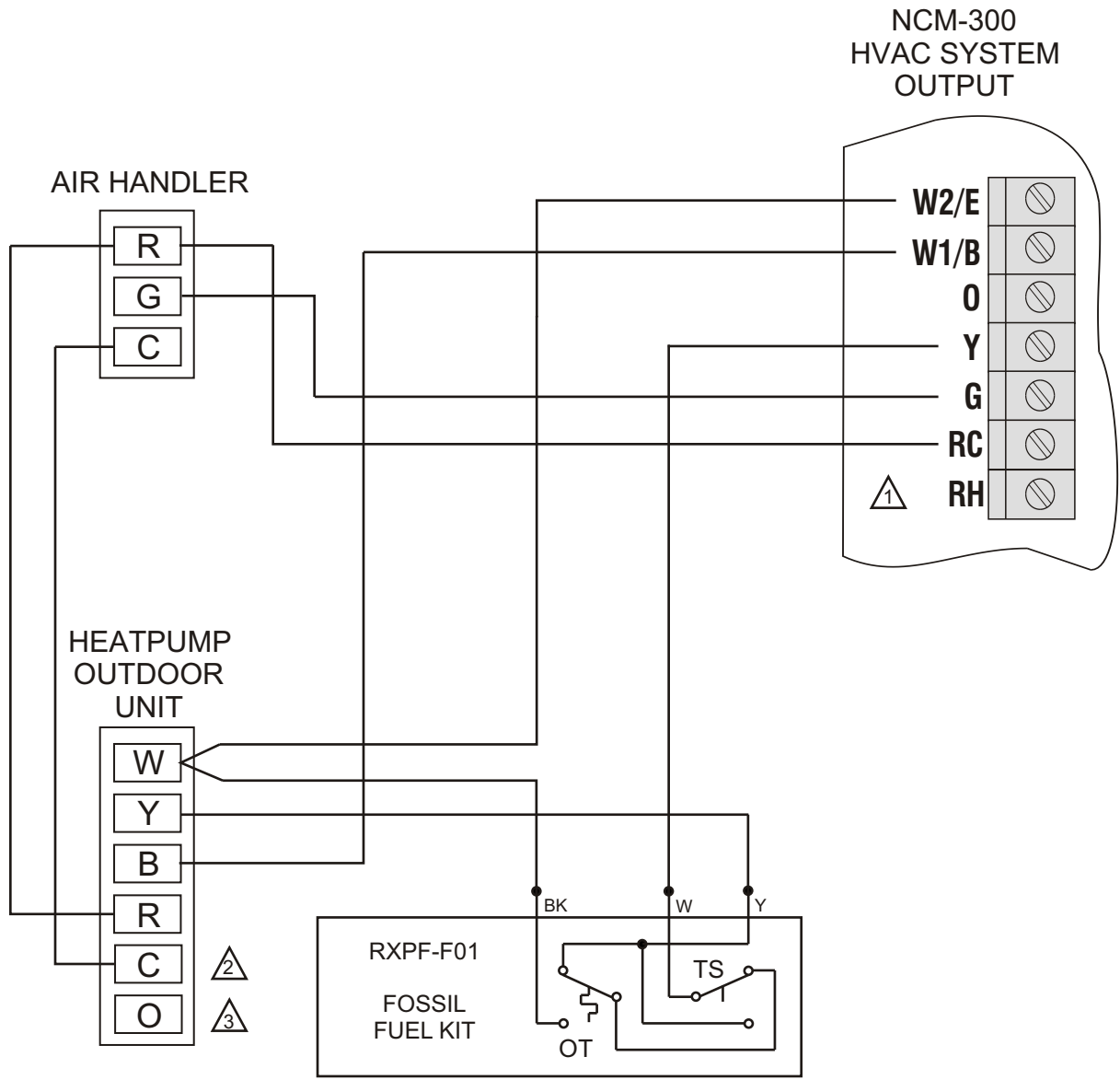


WIRING DIAGRAM



1 NO JUMPER REQUIRED IF RC/RH LINK IS NOT CUT

2 DO NOT CONNECT 'B' TO NCM-300

3 LAR - LOW AMBIENT RELAY (OPTIONAL)

<p>EWC[®] CONTROLS INC. Englishtown, NJ 07726</p>	DWN ENG: EDK		DWG NAME: NCM-300 CONVENTIONAL HEATPUMP W/ RHEEM RXPF-F01 DUAL FUEL KIT	
	SIZE: A	DATE: 12/01/03	DWG NO: 090512A0009	REV: A
	SCALE: NOT TO SCALE	COPYRIGHT © EWC CONTROLS INC. ALL RIGHTS RESERVED		SHEET: 1 OF 1