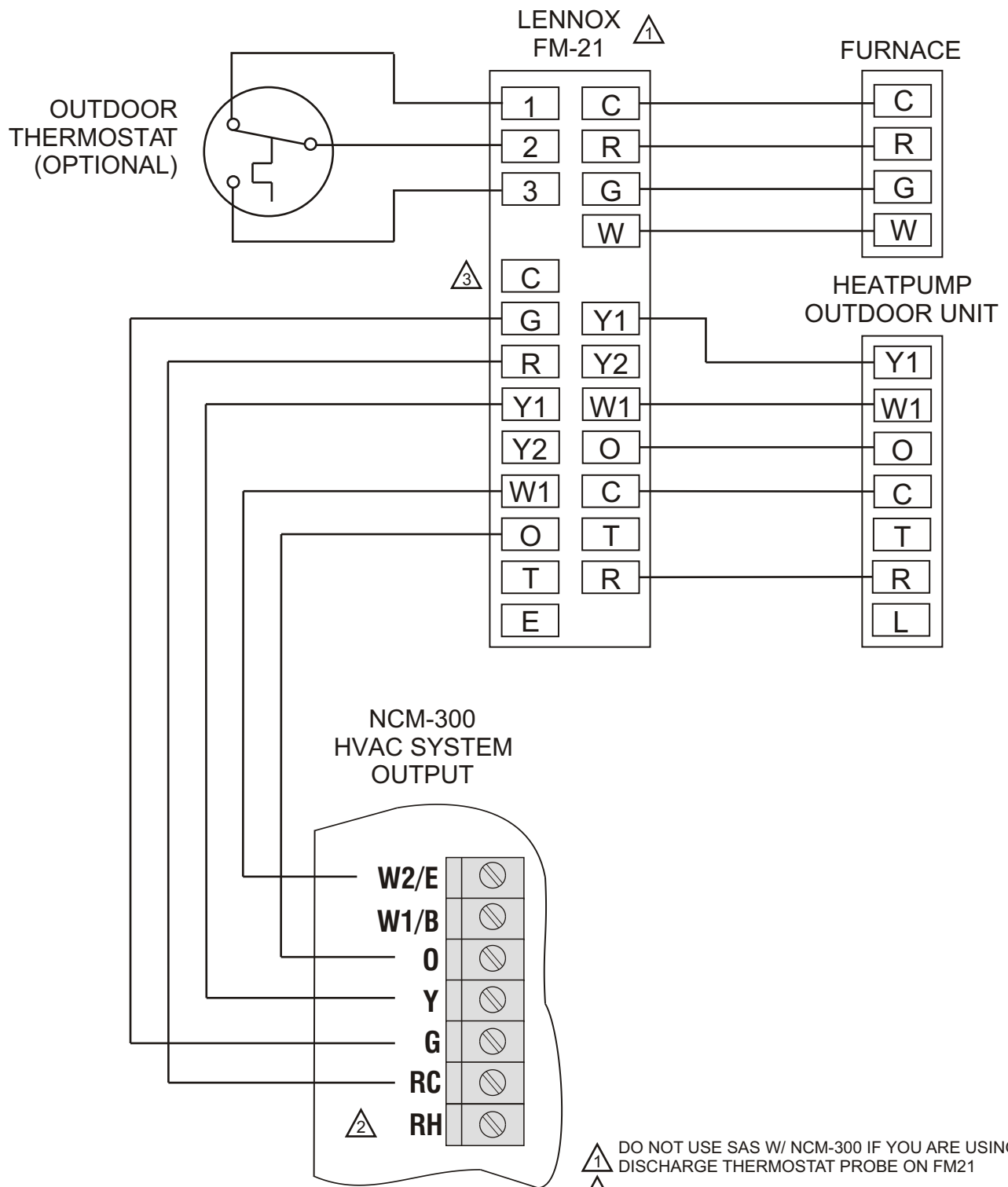



WIRING DIAGRAM



- ⚠️ DO NOT USE SAS W/ NCM-300 IF YOU ARE USING DISCHARGE THERMOSTAT PROBE ON FM21
- ⚠️ NO JUMPER REQUIRED IF RC/RH LINK IS NOT CUT
- ⚠️ DO NOT CONNECT 'C' TO NCM-300

 Englishtown, NJ 07726	DWN ENG: EDK		DWG NAME: NCM-300 DUAL FUEL W/ LENNOX FM21 DUAL FUEL KIT	
	SIZE: A	DATE: 12/1/03	DWG NO: 090512A0006	REV: B
	SCALE: NOT TO SCALE	COPYRIGHT © EWC CONTROLS INC. ALL RIGHTS RESERVED		SHEET: 1 OF 1