

ULTRA-ZONE®

Forced Air Zone Controls

SUBMITTAL SHEET Model VCD Rectangular Volume Control Hand Damper

The VCD series of manually adjusted rectangular volume control dampers are designed to control and limit air volume on rectangular duct runs.

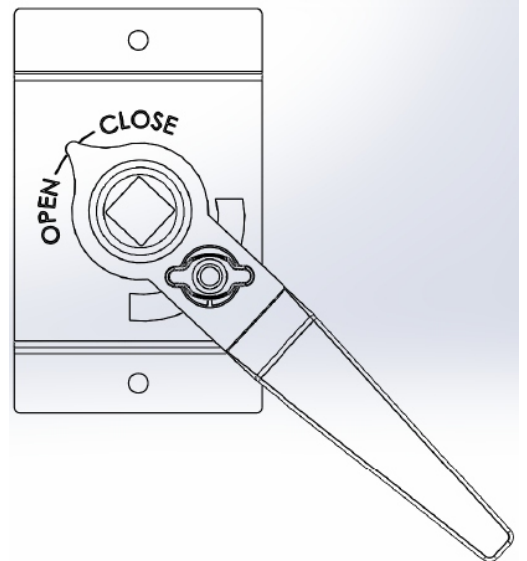
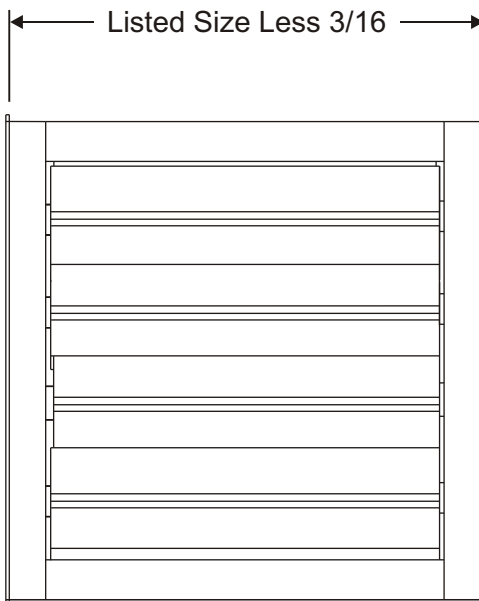
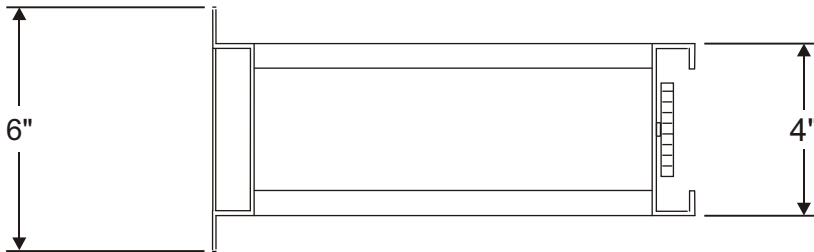
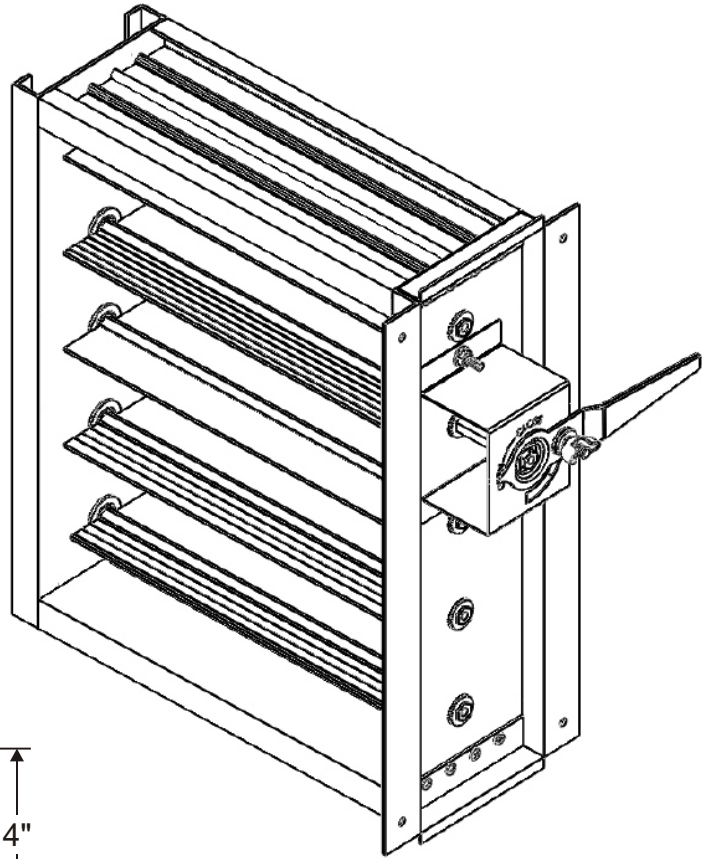
The VCD allows a technician to properly balance the HVAC duct system during a test and balance procedure.

The VCD is constructed using heavy duty 0.080" extruded aluminum and high strength Acetal Gears driving the opposed blades. The VCD includes an adjustable heavy duty manual quadrant with a positive locking wing nut.

The VCD is designed to provide reliable and quiet volume control at nominal duct velocities. The opposed blade design achieves low turbulence and low 0.01"wc pressure drop across the damper.

VCD balancing dampers are easy to install and adjust. The superior design insures long life with zero maintenance and a 5 year warranty.

VCD's are available in size 6"x6" thru 36"x32". See page 2 for airflow performance data.



SUBMITTAL FORM

SUBMITTED BY: _____

JOB: _____

ARCHITECT: _____

ENGINEER: _____

CONTRACTOR: _____

LOCATION: _____

Excellence Without Compromise
EWC®
CONTROLS INC.

385 Hwy. 33
Englishtown, NJ 07726
Ph: 800-446-3110
Fx: 732-446-5362

**Model VCD Rectangular
Net Free area & CFM**

SUBMITTAL SHEET
Model VCD Rectangular
Volume Control Hand Damper

		8	10	12	14	16	18	20	22	24	26	28	30
6	Free Area (Sq. In.)	19.46	28.08	34.84	41.6	48.35	55.11	63.74	70.49	77.25	84.01	90.76	99.39
	CFM	150	190	220	260	340	360	410	450	480	540	560	600
8	Free Area (Sq. In.)	28.49	41.11	51	60.89	70.78	80.67	93.3	103.19	113.08	122.97	132.86	145.49
	CFM	180	270	350	390	470	510	630	730	750	820	840	950
10	Free Area (Sq. In.)	37.51	54.14	67.16	80.19	93.21	106.24	122.86	135.88	148.91	161.93	174.96	191.58
	CFM	250	360	450	540	630	720	850	920	1040	1110	1180	1300
12	Free Area (Sq. In.)	46.54	67.16	83.32	99.48	115.64	131.8	152.42	168.58	184.74	200.9	217.06	237.68
	CFM	310	450	550	690	780	930	1080	1150	1340	1410	1530	1690
14	Free Area (Sq. In.)	55.56	80.19	99.48	118.77	138.07	157.36	181.98	201.28	220.57	239.86	259.16	283.78
	CFM	340	540	690	820	910	1070	1360	1490	1620	1680	1790	2160
16	Free Area (Sq. In.)	64.59	93.21	115.64	138.07	160.49	182.92	211.55	233.97	256.4	278.83	301.25	329.88
	CFM	400	630	780	910	1120	1280	1610	1740	1860	2040	2300	2590
18	Free Area (Sq. In.)	73.62	106.24	131.8	157.36	182.92	208.48	241.11	266.67	292.23	317.79	343.35	375.98
	CFM	420	720	930	1070	1280	1440	1790	2080	2200	2380	2480	3070
20	Free Area (Sq. In.)	82.64	119.27	147.96	176.66	205.35	234.05	270.67	299.36	328.06	356.75	385.45	422.07
	CFM	460	790	990	1240	1450	1590	2070	2250	2590	2770	2940	3360
22	Free Area (Sq. In.)	91.67	132.29	164.12	195.95	227.78	259.61	300.23	332.06	363.89	395.72	427.55	468.17
	CFM	530	880	1100	1340	1550	1840	2250	2580	2820	2970	3180	4220
24	Free Area (Sq. In.)	100.69	145.32	180.28	215.24	250.21	285.17	329.79	364.76	399.72	434.68	469.65	514.27
	CFM	500	950	1210	1440	1640	1920	2590	2820	3030	3450	3670	4570
26	Free Area (Sq. In.)	109.72	158.34	196.44	234.54	272.63	310.73	359.36	397.45	435.55	473.65	511.74	560.37
	CFM	500	1060	1260	1580	1900	2210	2770	3210	3450	3730	3910	5560
28	Free Area (Sq. In.)	118.75	171.37	212.6	253.83	295.06	336.29	388.92	430.15	471.38	512.61	553.84	606.47
	CFM	520	1110	1440	1670	1980	2280	3170	3470	3670	3910	4890	6030
30	Free Area (Sq. In.)	127.77	184.4	228.76	273.13	317.49	361.86	418.48	462.84	507.21	551.57	595.94	652.56
	CFM	510	1160	1490	1750	2050	2400	3360	3630	3860	4900	5220	6500