

ULTRA-ZONE[®]

Forced Air Zone Controls

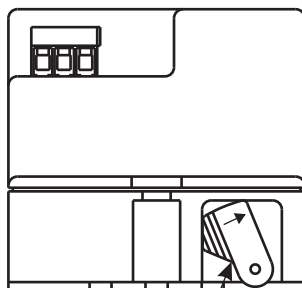
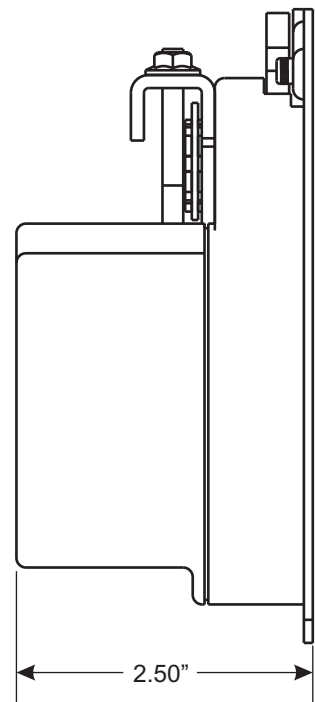
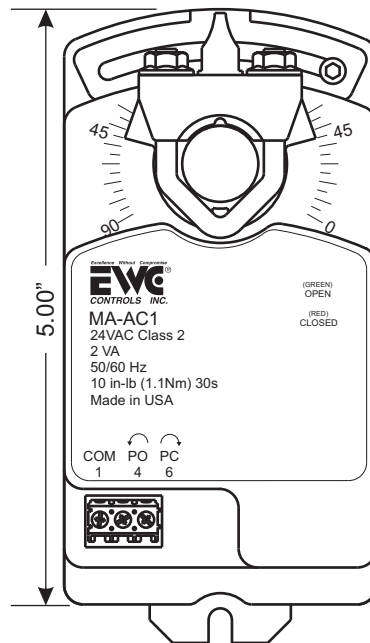
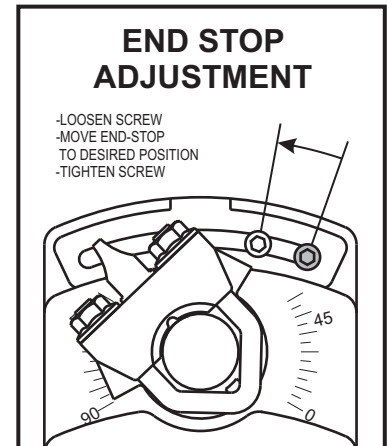
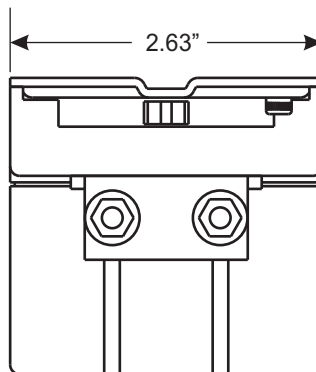
SUBMITTAL SHEET

Model MA-AC1 Actuator

The MA-AC1 motor actuators are easy to install, easy to wire up, and come with a 5 year warranty. The superior design insures long life and no maintenance. The MA-AC1 is a 24vac 3 wire power open / power close motor actuator rated at 10" lbs. of torque. The MA-AC1 motor actuator features bright Green and Red LED's which correspond to the OPEN and CLOSED position of the damper blades. The End-Stop adjustment allows for a percentage of Relief Air (leakage) to be set when the damper is powered to close. The Position LED's will illuminate regardless of the Min/Max setting.

Technical Data

Power Supply	24 VAC± 20%
	50/60Hz
Transformer Sizing	2.0 VA (Class 2 power source)
Torque	10 in-lb [1.1 Nm]
Manual Override	External Push Lever
Running Time	30 seconds, constant independent of load
Humidity	5 to 95% RH Non-Condensing
Ambient Temperature	-22°F to +122°F [-30°C to +50°C]
Storage Temperature	-40°F to +176°F [-40°C to +80°C]
Housing	NEMA 1
Housing Material	UL94-5VA
Noise Level	<30 dB



MANUAL GEAR RELEASE

SUBMITTAL FORM

SUBMITTED BY: _____

JOB: _____

ARCHITECT: _____

ENGINEER: _____

CONTRACTOR: _____

LOCATION: _____



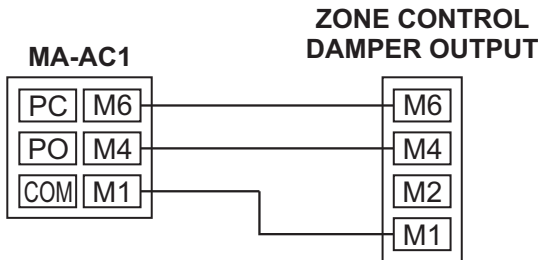
385 Hwy. 33
Englishtown, NJ 07726
Ph: 800-446-3110
Fx: 732-446-5362

WIRING SOLUTIONS

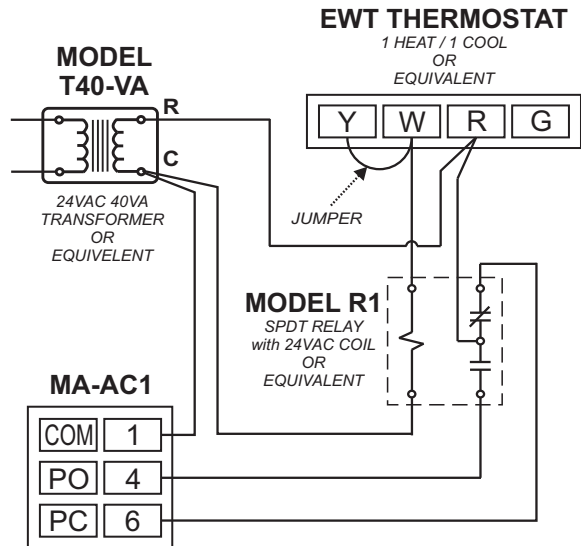
Motor Actuator Terminals

TERMINAL	DESCRIPTION
1 / COM	24v Common
4 / PO	24v Power to Open
6 / PC	24v Power to Close

Wiring to a Zone Control Panel



Wiring a Thermostat to Control a Single Damper



Wiring in Parallel

