

SPECIFICATIONS

COIL DATA

RATED COIL VOLTAGE 24 VOLTS 50/60 Hz
 NOMINAL COIL CURRENT 50 ma
 PICK UP VOLTAGE 19.2 VOLTS MAX
 DROP OUT VOLTAGE 7.2 VOLTS MIN
 NOMINAL OPERATING POWER 1.20 VA

CONTACTS

CONTACT MATERIAL GOLD-CLAD
 SILVER NICKEL
 CONTACTS (4 FORM C) 4 PDT
 RATING (RESISTIVE) 5A 250V AC
 BREAKDOWN VOLTAGE
 BETWEEN CONTACT SETS 700V RMS
 BETWEEN CONTACTS AND COIL 1500V RMS
 BETWEEN LIVE PARTS AND GROUND 1500V RMS

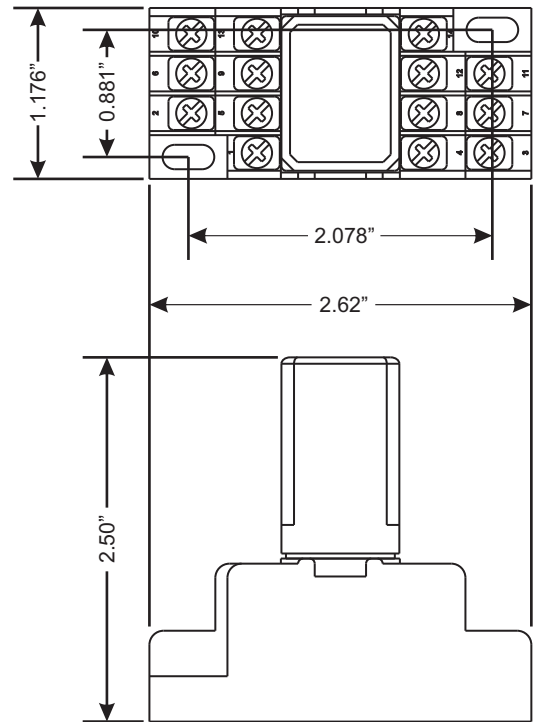
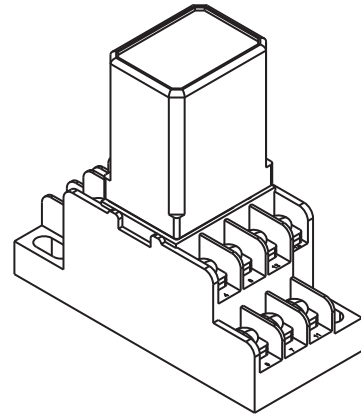
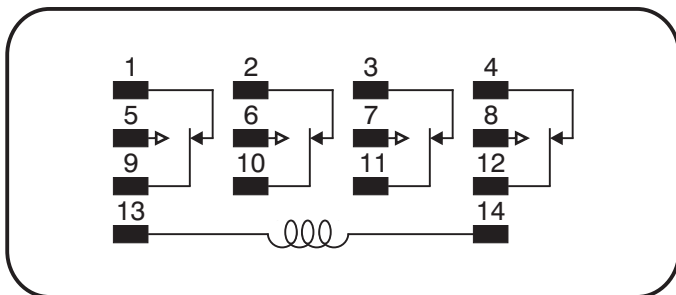
AMBIENT TEMPERATURE

-58°F TO +122°F

EXPECTED LIFE (MIN OPERATIONS)

AT 1A RMS 2,000,000

SCHEMATIC



SUBMITTAL FORM

SUBMITTED BY: _____
 JOB: _____
 ARCHITECT: _____
 ENGINEER: _____
 CONTRACTOR: _____
 LOCATION: _____