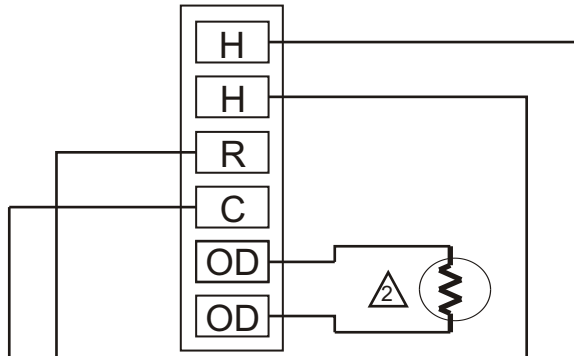
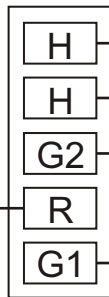


WIRING DIAGRAM

MODEL 072000
DIGITAL HUMIDISTAT



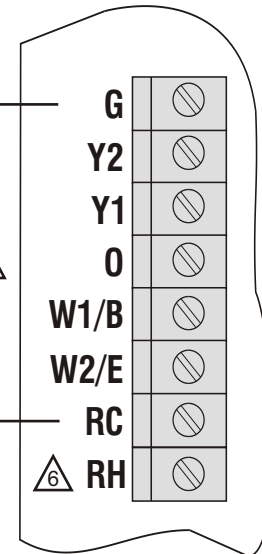
S2000/S2020
STEAM HUMIDIFIER



FURNACE



BMPlus 3000
NCM-300
HVAC SYSTEM
OUTPUT



- ⚠ EQUIPMENT WIRING NOT SHOWN FOR CLARITY.
EQUIPMENT MAY VARY FROM WHAT IS SHOWN
- ⚠ MODEL OAS -- OUTSIDE AIR SENSOR (OPTIONAL)

EWC[®]

CONTROLS INC.

Englishtown, NJ 07726

DRAWING BY:
EDK

DWG NAME: MODEL S2000/S2020 -- WIRED w/
ZONE PANEL SYSTEM OUTPUT

DATE:
12/10/04

SIZE:
A

REV:
A

DWG NO:
090512A0104

SHEET: 1 OF 1

COPYRIGHT © EWC CONTROLS INC.
ALL RIGHTS RESERVED

DISCLAIMER: EWC Controls Inc., Cannot be held liable for the use or misuse of this supplied information. It is the responsibility of the user to determine the suitability of the application. Malfunctions, improper operation, and/or subsequent damage to any related equipment or property damage as a result of using this supplied information is the responsibility of the user. EWC Controls Inc., is not responsible for any misapplications including, but not limited to negligence, defect in product(s), system incompatibility, poor workmanship and/or installation.