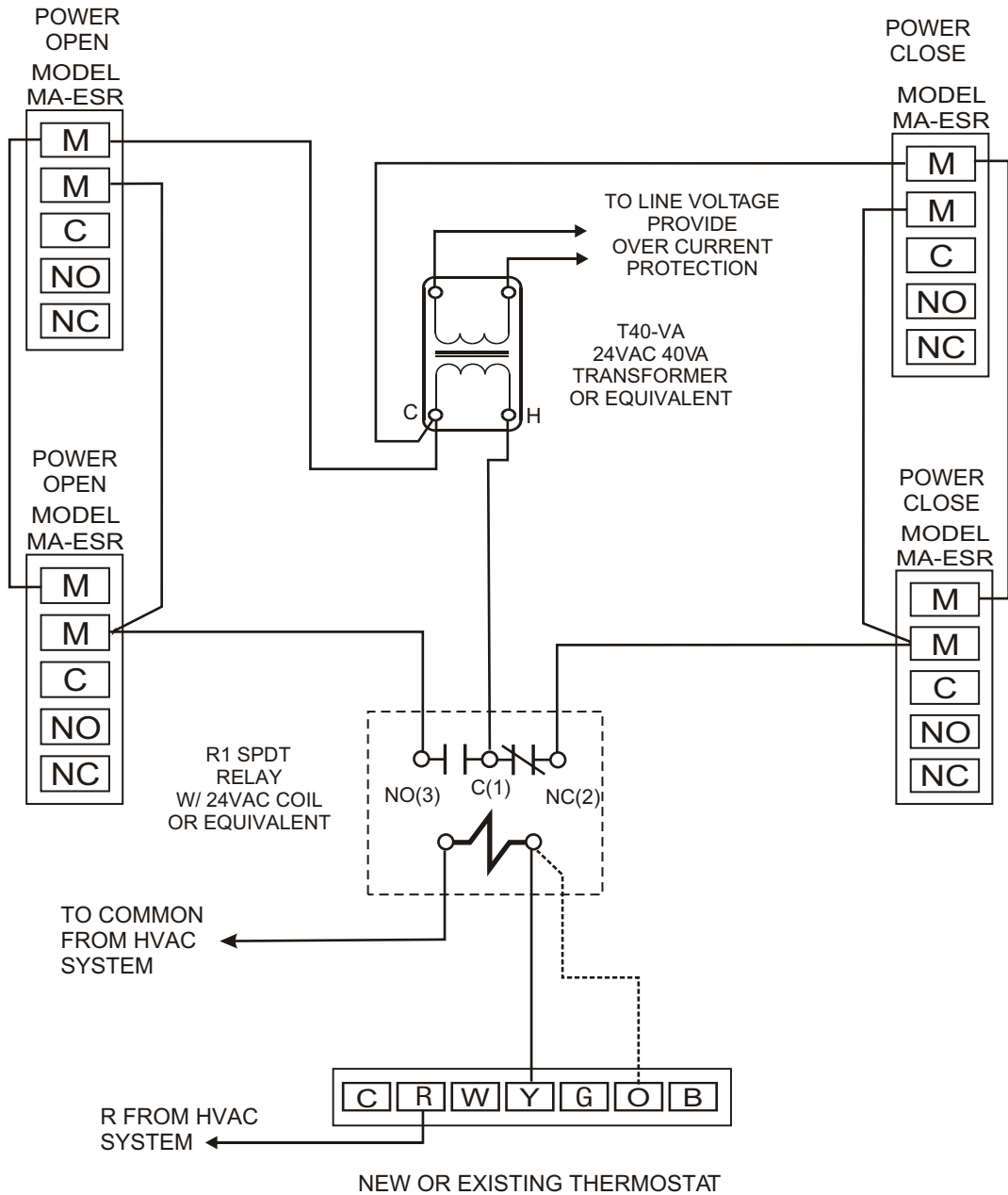


WIRING DIAGRAM



SYSTEM DEFAULTS TO HEAT. COOL DAMPERS OPEN WHEN THERE IS A CALL FOR COOLING. USE Y OR O OUTPUTS TO ENERGIZE THE RELAY COIL.

 Englishtown, NJ 07726	DRAWING BY: DJH	DWG NAME: HEAT TO A/C CHANGEOVER DAMPERS	DATE: 04/19/04
	SIZE: A	REV: A	DWG NO: 090512A0067
	SHEET: 1 OF 1		COPYRIGHT © EWC CONTROLS INC. ALL RIGHTS RESERVED

DISCLAIMER: EWC Controls Inc., Cannot be held liable for the use or misuse of this supplied information. It is the responsibility of the user to determine the suitability of the application. Malfunctions, improper operation, and/or subsequent damage to any related equipment or property damage as a result of using this supplied information is the responsibility of the user. EWC Controls Inc., is not responsible for any misapplications including, but not limited to negligence, defect in products(s), system incompatibility, poor workmanship and/or installation.