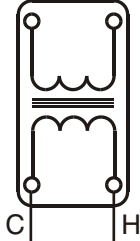


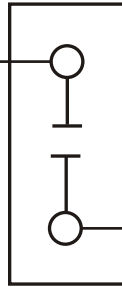
WIRING DIAGRAM

MANUAL OPERATION OF SPRING TYPE DAMPER ACTUATOR
FOR USE WITH POWER OPEN DAMPER

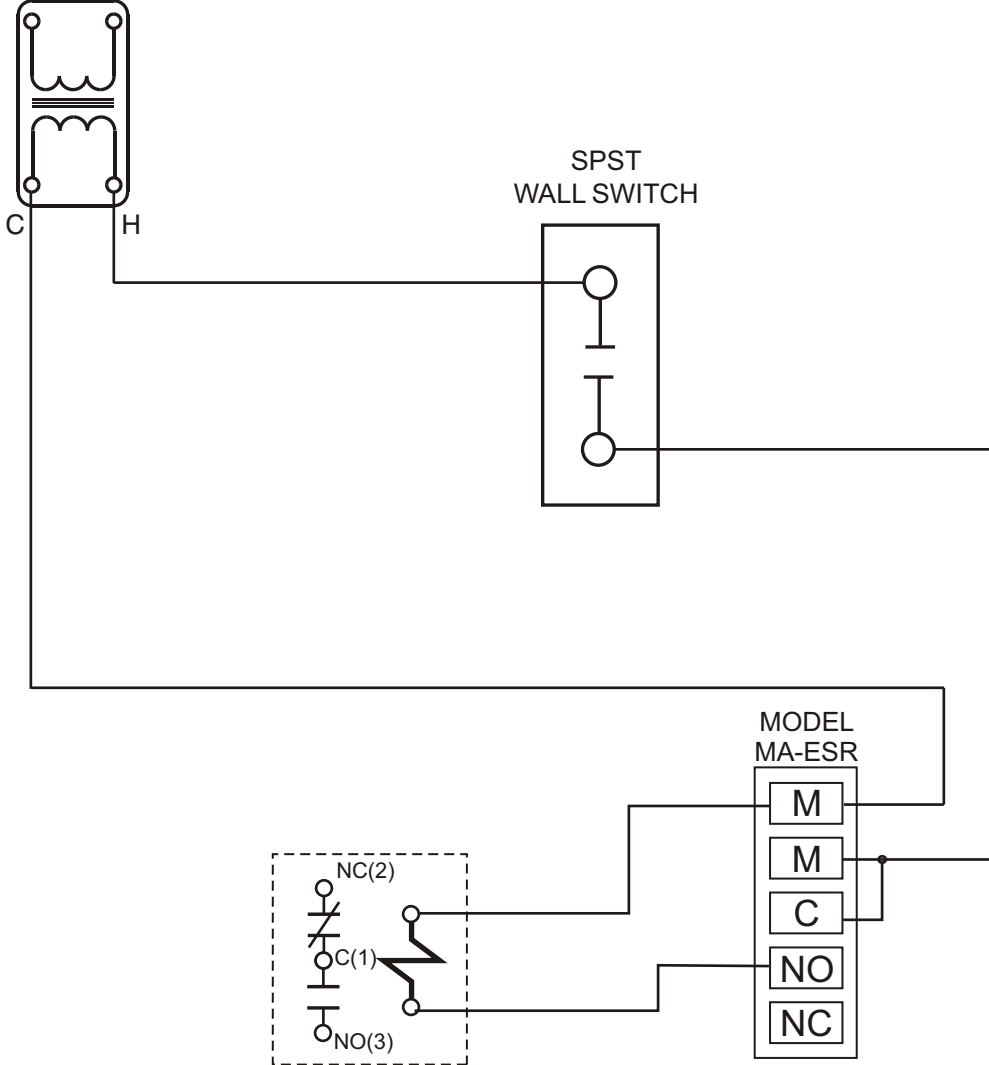
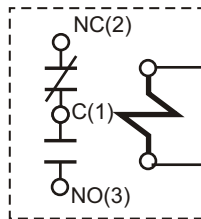
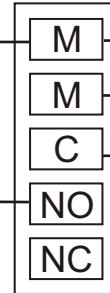
T40-VA
24 VAC 40 VA
TRANSFORMER



SPST
WALL SWITCH



MODEL
MA-ESR



EWC[®]

CONTROLS INC.

Englishtown, NJ 07726

DRAWING BY:
DJH

DWG NAME:

MODEL MA-ESR POWER OPEN
W/ SPST WALL SWITCH

DATE:

04/19/04

SIZE:
A

REV:
B

DWG NO:
090512A0066

SHEET: 1 OF 1

COPYRIGHT © EWC CONTROLS INC.
ALL RIGHTS RESERVED

DISCLAIMER: EWC Controls Inc., Cannot be held liable for the use or misuse of this supplied information. It is the responsibility of the user to determine the suitability of the application. Malfunctions, improper operation, and/or subsequent damage to any related equipment or property damage as a result of using this supplied information is the responsibility of the user. EWC Controls Inc., is not responsible for any misapplications including, but not limited to negligence, defect in products(s), system incompatibility, poor workmanship and/or installation.