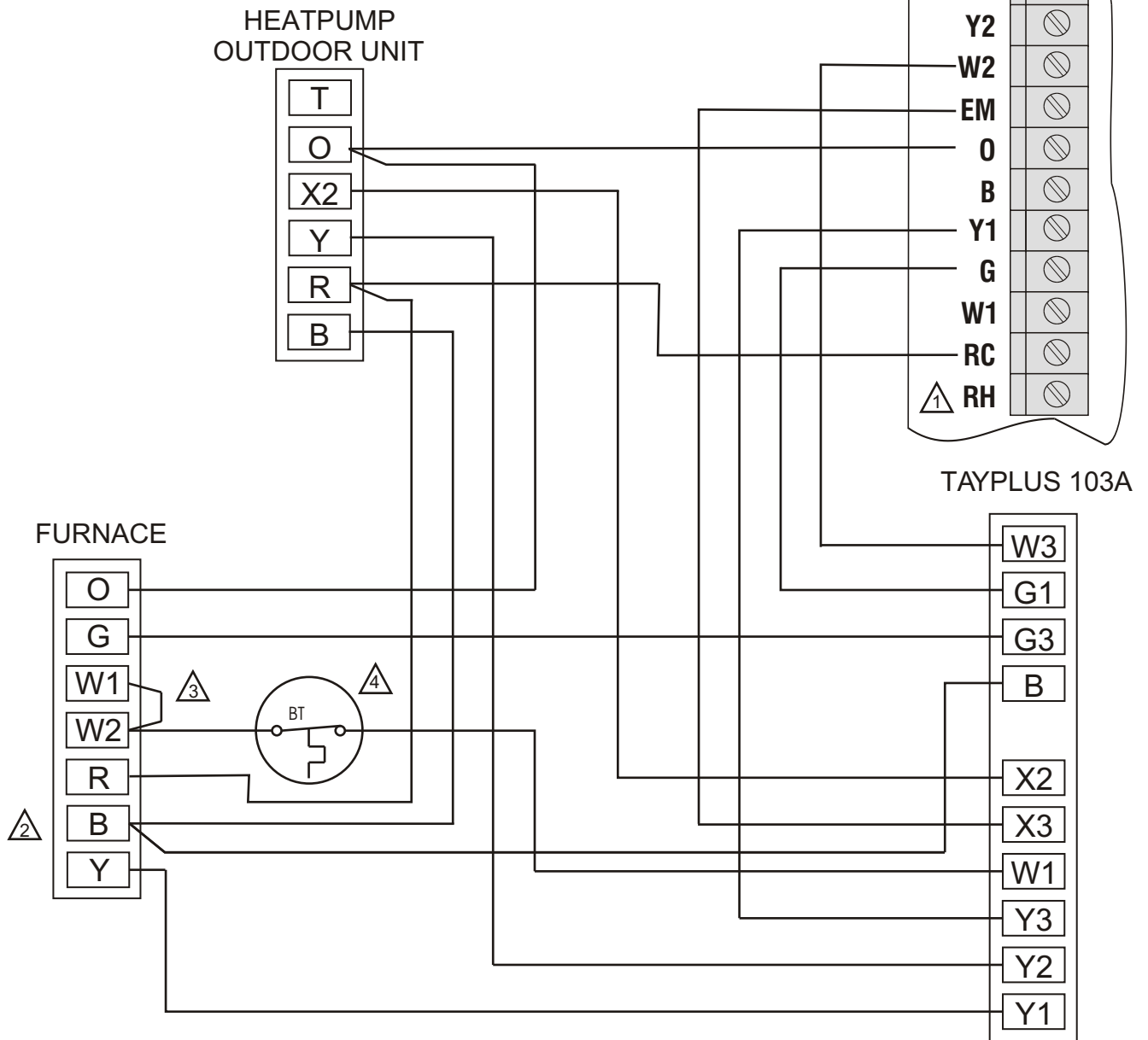


WIRING DIAGRAM

SINGLE STAGE HEATPUMP W/ 1 OR 2 STAGE FURNACE

UZC-3C
HVAC SYSTEM
OUTPUT



- △1 NO JUMPER REQUIRED IF RC/RH LINK IS NOT CUT
- △2 DO NOT CONNECT 'B' TO UZC-3C
- △3 THIS JUMPER REQUIRED ONLY FOR 2 STAGE FURNACE APPLICATIONS
- △4 BONNET THERMOSTAT MODEL TAYPLUS101A REQUIRED FOR OIL FURNACE APPLICATIONS

| | | | | |
|---|---------------------|---|---|---------------|
| EWC [®] CONTROLS INC. Englishtown, NJ 07726 | DWN ENG: DJH | | DWG NAME: UZC-3C DUAL FUEL W/ TAYPLUS 103A--NON-RESTRICTED | |
| | SIZE: A | DATE: 05/03/04 | DWG NO: 090512A0026 | REV: E |
| | SCALE: NOT TO SCALE | COPYRIGHT © EWC CONTROLS INC. ALL RIGHTS RESERVED | | SHEET: 1 OF 1 |