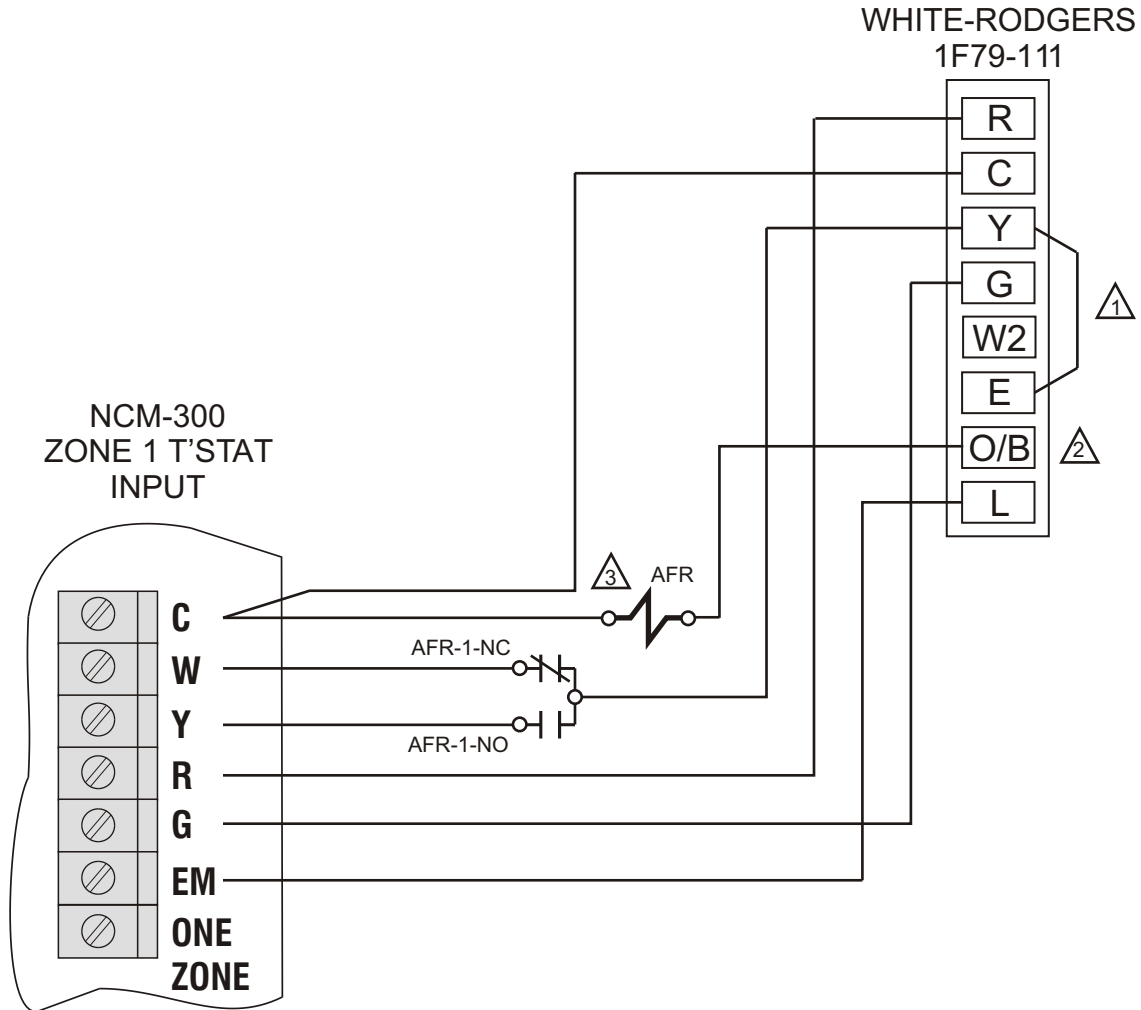


WIRING DIAGRAM



- △₁ JUMPER REQUIRED FOR EMERGENCY HEAT
- △₂ 'O/B' SWITCH TO BE IN 'O' POSITION
- △₃ AFR - SPDT RELAY W/ 24VAC COIL

 EWC [®] CONTROLS INC. Englishtown, NJ 07726	DWN ENG: EDK		DWG NAME: NCM-300 HEATPUMP T'STAT W/ WHITE-RODGERS 1F79-111	
	SIZE: A	DATE: 12/01/03	DWG NO: 090512A0010	REV: B
	SCALE: NOT TO SCALE	COPYRIGHT © EWC CONTROLS INC. ALL RIGHTS RESERVED		SHEET: 1 OF 1