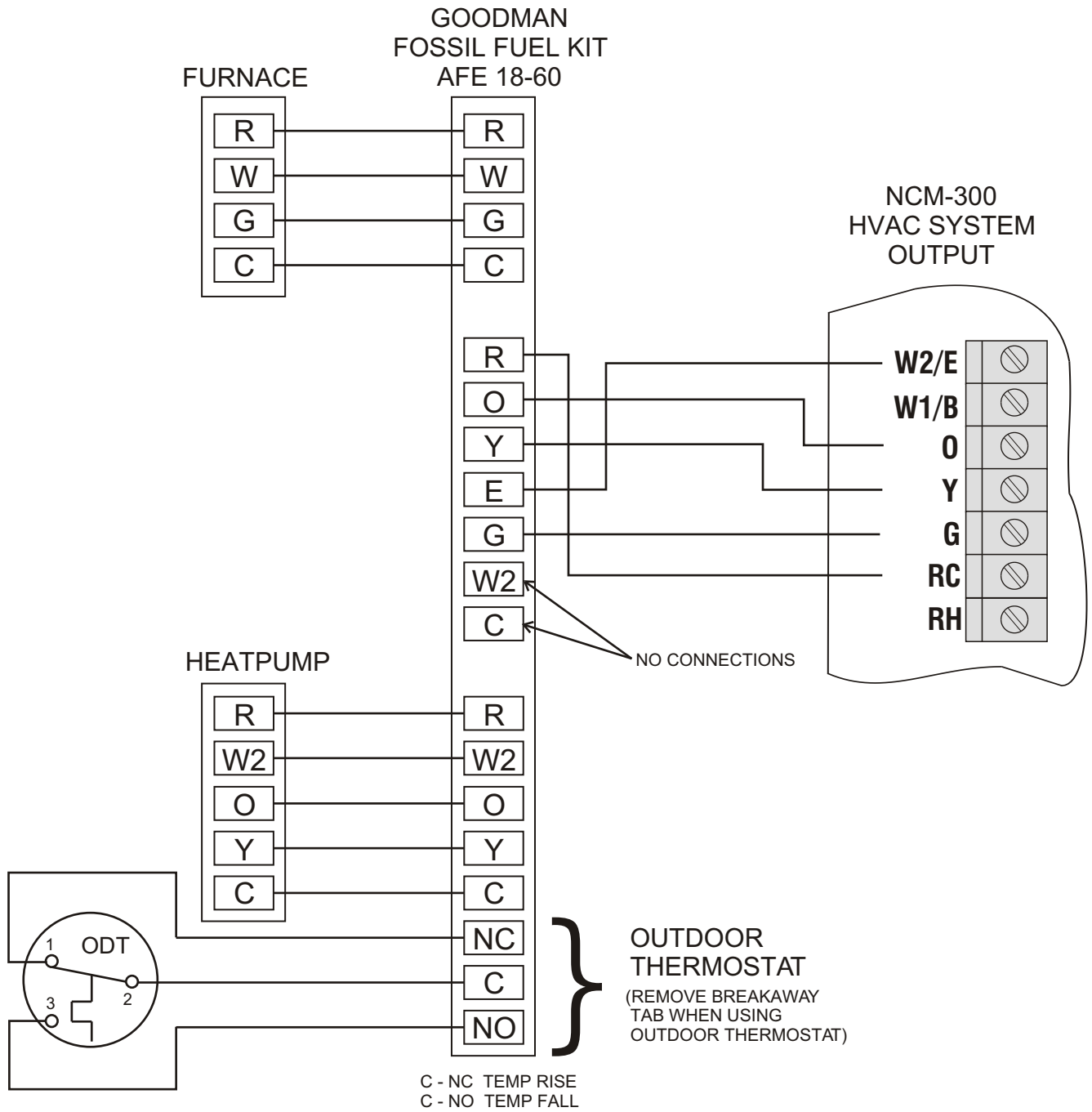


WIRING DIAGRAM



<p>EWC[®] CONTROLS INC. Englishtown, NJ 07726</p>	DWN ENG: EDK		DWG NAME: NCM-300 DUAL FUEL W/ GOODMAN AFE 18-60	
	SIZE: A	DATE: 11/25/03	DWG NO: 090512A0001	REV: A
	SCALE: NOT TO SCALE	COPYRIGHT © EWC CONTROLS INC. ALL RIGHTS RESERVED		SHEET: 1 OF 1