

ULTRA-ZONE[®]

Forced Air Zone Controls

SUBMITTAL SHEET

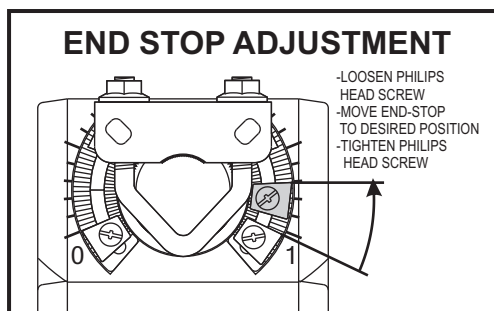
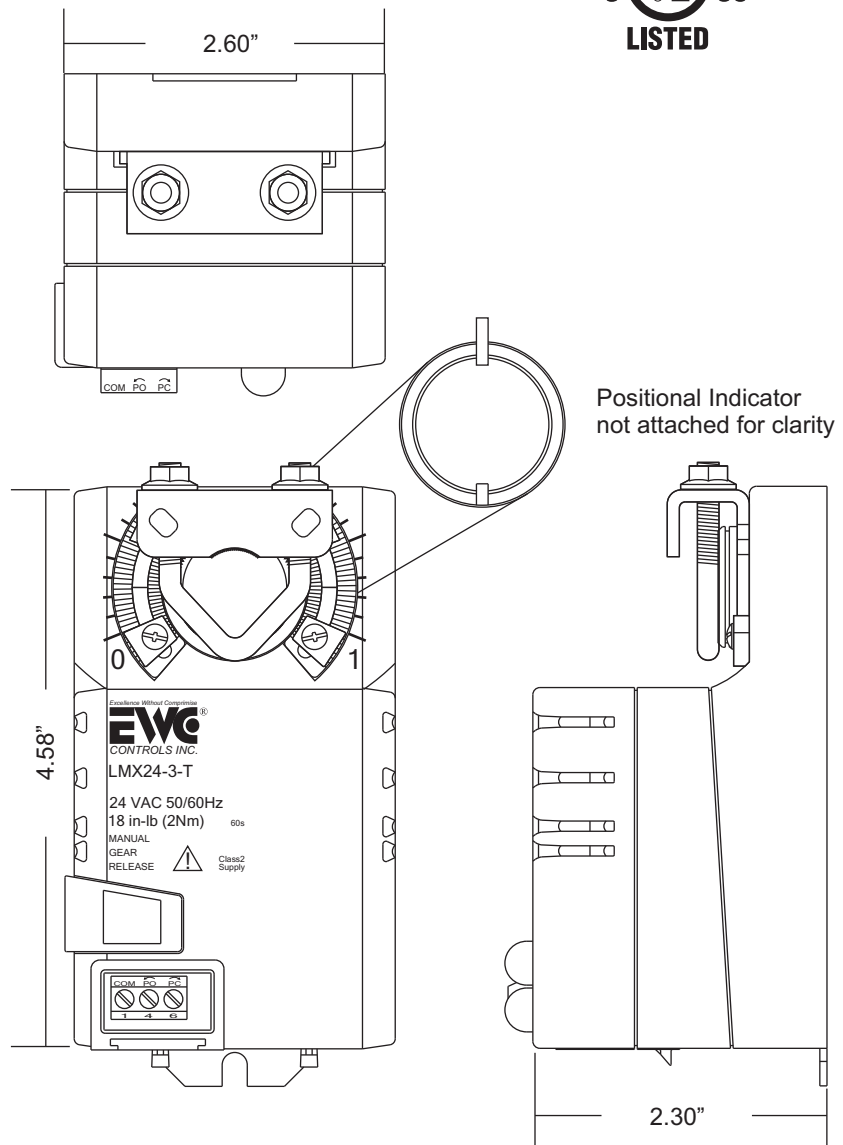
Model MA-60s Actuator

The MA-60s motor actuators are easy to install, easy to wire up, and come with a 5 year warranty. The superior design insures long life and no maintenance. The UL Listed Motor Actuator is a 24vac 3 wire power open / power close type rated at 18 in.-lbs. of torque and 60 second rotation time. Control voltage may be continuous or Floating Point type signal. The MA-60s includes an integrated terminal block, and NEMA1 rated housing. End-Stop adjustment allows for a percentage of Relief Air (Leakage) to be set when the Motor Actuator is powered to close. A positional arrow is also included that provides visual indication of blade travel. Optional Model S1A, Auxiliary end-switch can be added if required.



Technical Data

Power Supply	24 VAC± 20%
	50/60Hz Class 2
Power Consumption	1.5 VA, 1 Watt
Torque	18 in-lb [2 Nm]
Manual Override	External Push Button
Running Time	60 seconds, constant
	independent of load
Humidity	5 to 95% RH Non-Condensing
Ambient Temperature	-22°F to +122°F
	[-30°C to +50°C]
Storage Temperature	-40°F to +176°F
	[-40°C to +80°C]
Housing	NEMA 1
Housing Material	UL94-5VA
Noise Level	Less than 45dB



SUBMITTAL FORM

SUBMITTED BY: _____

JOB: _____

ARCHITECT: _____

ENGINEER: _____

CONTRACTOR: _____

LOCATION: _____



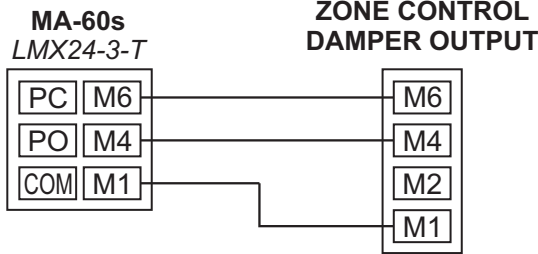
385 Hwy. 33
 Englishtown, NJ 07726
 Ph: 800-446-3110
 Fx: 732-446-5362

WIRING SOLUTIONS

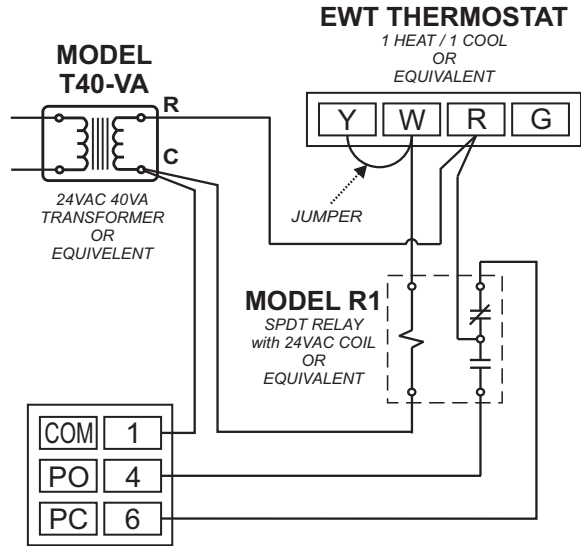
Motor Actuator Terminals

TERMINAL	DESCRIPTION
1 / COM	24v Common
4 / PO	24v Power to Open
6 / PC	24v Power to Close

Wiring to a Zone Control Panel



Wiring a Thermostat to Control a Single Damper



Wiring in Parallel

