

# ULTRA-ZONE<sup>®</sup>

## Forced Air Zone Controls

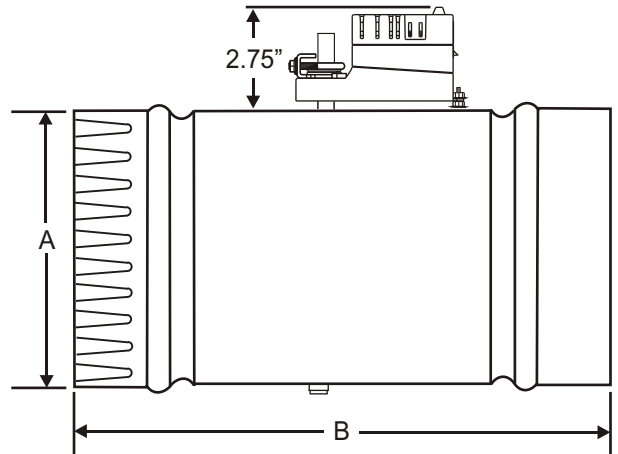
# SUBMITTAL SHEET

## Model URD Round Damper with MA-15S Actuator

The MA-15S motor actuator is easy to install, easy to wire up, and comes with a 5 year warranty. The superior design insures long life and zero maintenance. *The Motor can be oriented in any position in a conditioned area.* The UL Listed Motor Actuator is a 24vac 3 wire power open & power close type rated at 18 inch lbs. of torque and 15 second travel time. *The MA-15S can also operate in floating mode and is compatible with Carrier<sup>®</sup> Infinity & Bryant<sup>®</sup> Evolution communicating zone control systems.* The MA-15S includes an integrated wiring terminal block, and has a NEMA1 rated housing. Dual End-Stop adjustments allow for a maximum Open and Minimum Close field position capability.

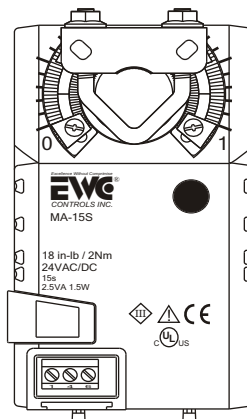
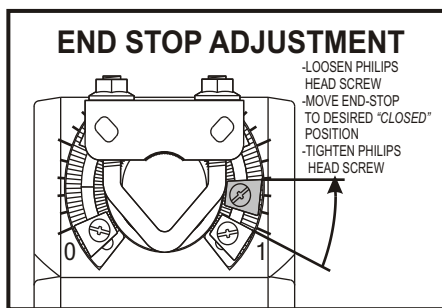
### Technical Data

Power Supply	24 VAC ± 20% 50/60Hz 24 VDC ± 10%
Power Consumption	1.5 W
Transformer Sizing	2.5 VA (Class 2 power source)
Electrical Connection	Screw Terminal (26 to 14 GA Wire)
Control Function	Open / Close or Floating Point
Torque	18 in-lb [2 Nm]
Manual Override	External Push Button
Running Time	15 seconds, constant independent of load
Humidity	5 to 95% RH Non-Condensing
Ambient Temperature	-22°F to +122°F [-30°C to +50°C]
Storage Temperature	-40°F to +176°F [-40°C to +80°C]
Housing	NEMA 1 / IP20
Housing Material	UL94-5VA
Agency Listings	cULus
Noise Level	45dB(A)



### NOMINAL DIMENSIONS

MODEL #	A	B	.1" WC
URD - 4	4.00"	10.00"	40 CFM
URD - 5	5.00"	10.00"	70 CFM
URD - 6	6.00"	12.00"	110 CFM
URD - 7	7.00"	12.00"	160 CFM
URD - 8	8.00"	12.00"	230 CFM
URD - 9	9.00"	12.00"	310 CFM
URD - 10	10.00"	12.00"	410 CFM
URD - 12	12.00"	14.00"	650 CFM
URD - 14	14.00"	16.00"	1000 CFM
URD - 16	16.00"	20.00"	1400 CFM
URD - 18	18.00"	20.00"	2000 CFM
URD - 20	20.00"	20.00"	2500 CFM



### SUBMITTAL FORM

SUBMITTED BY: \_\_\_\_\_  
 JOB: \_\_\_\_\_  
 ARCHITECT: \_\_\_\_\_  
 ENGINEER: \_\_\_\_\_  
 CONTRACTOR: \_\_\_\_\_  
 LOCATION: \_\_\_\_\_



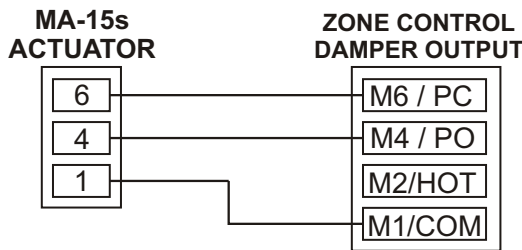
385 Hwy. 33  
 Englishtown, NJ 07726  
 Ph: 800-446-3110  
 Fx: 732-446-5362

### WIRING SOLUTIONS

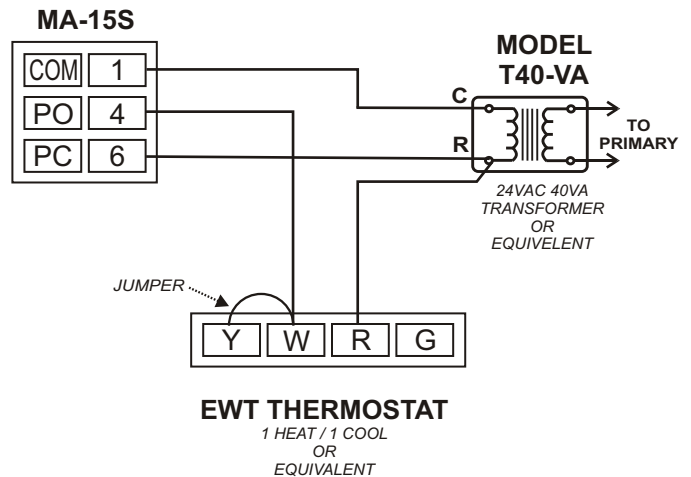
#### Motor Actuator Terminals

TERMINAL	DESCRIPTION
1	24v Com.
4	Power Open
6	Power Close

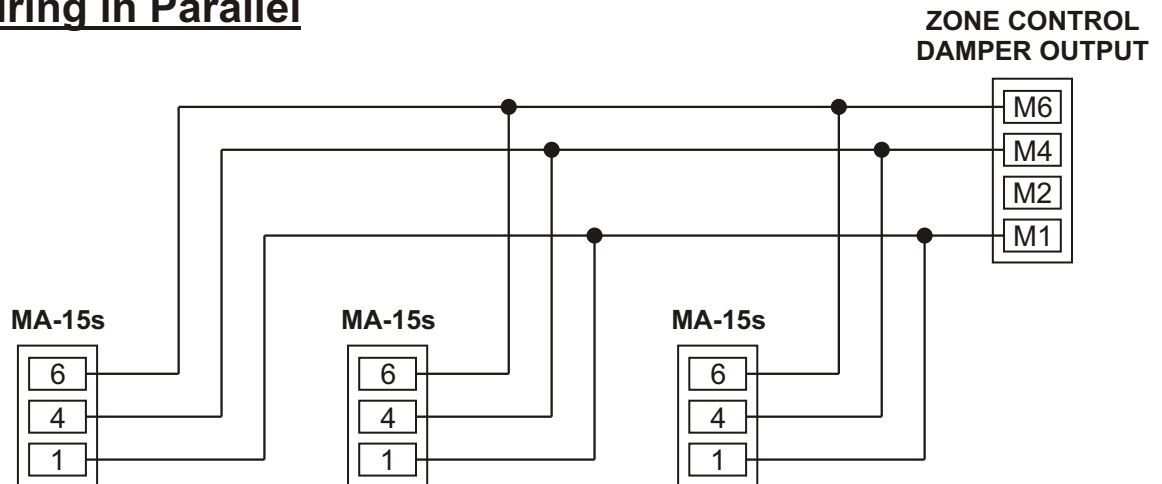
#### Wiring to a Zone Control Panel



#### Wiring a Thermostat to Control a Single Damper



#### Wiring in Parallel



**NOTE:** You may electrically parallel several MA-15S motors together on a single zone. However, DO NOT parallel the MA-15S with original Carrier/Bryant damper motors on the same zone. The back-feed characteristic of the Carrier/Bryant motors is not compatible with the MA-15S motors.