

ULTRA-ZONE™

Forced Air Zone Controls

DATA SHEET

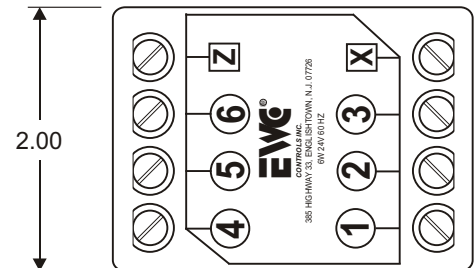
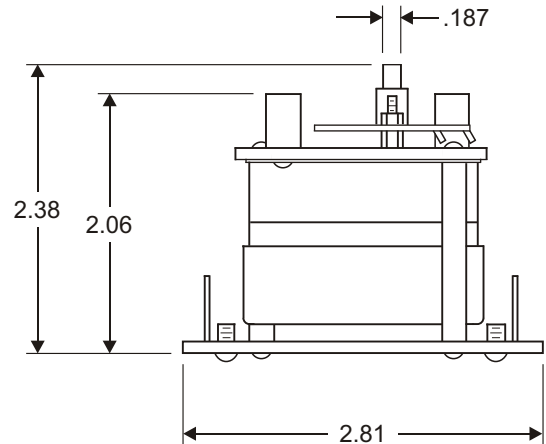
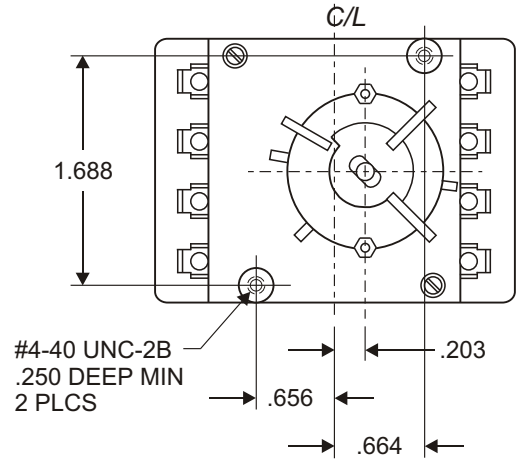
Model MAN

Motor Actuator - 2 Position

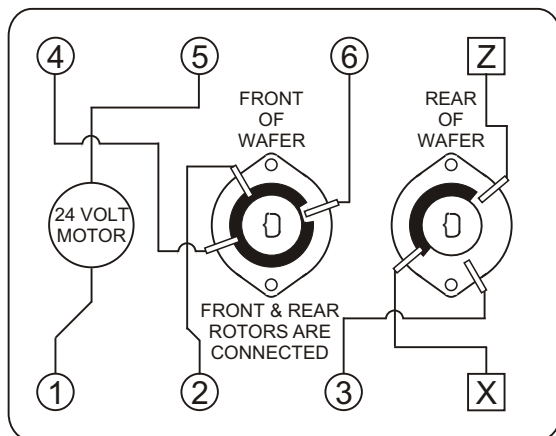
MODEL MAN
MOTOR ACTUATOR - 2 POSITION

SPECIFICATIONS:
 INPUT VOLTAGE 24 VOLTS 50 / 60 HZ
 INPUT CURRENT 600 ma TYP
 MOTOR-UNI-DIRECTIONAL
 SYNCHRONOUS HYSTERESIS
 SPEED - 1 RPM
 STARTING TORQUE 40 oz / in TYP
 OPEN / CLOSED POSITIONS 180 DEGREES APART.

MECHANICAL DIMENSIONS



SCHEMATIC



Excellence Without Compromise
EVC
 CONTROLS INC.

385 Hwy. 33 Englishtown, NJ 07726
 Ph: 800-446-3110 - Fx: 732-446-5362

P/N 090377A0066 REV A