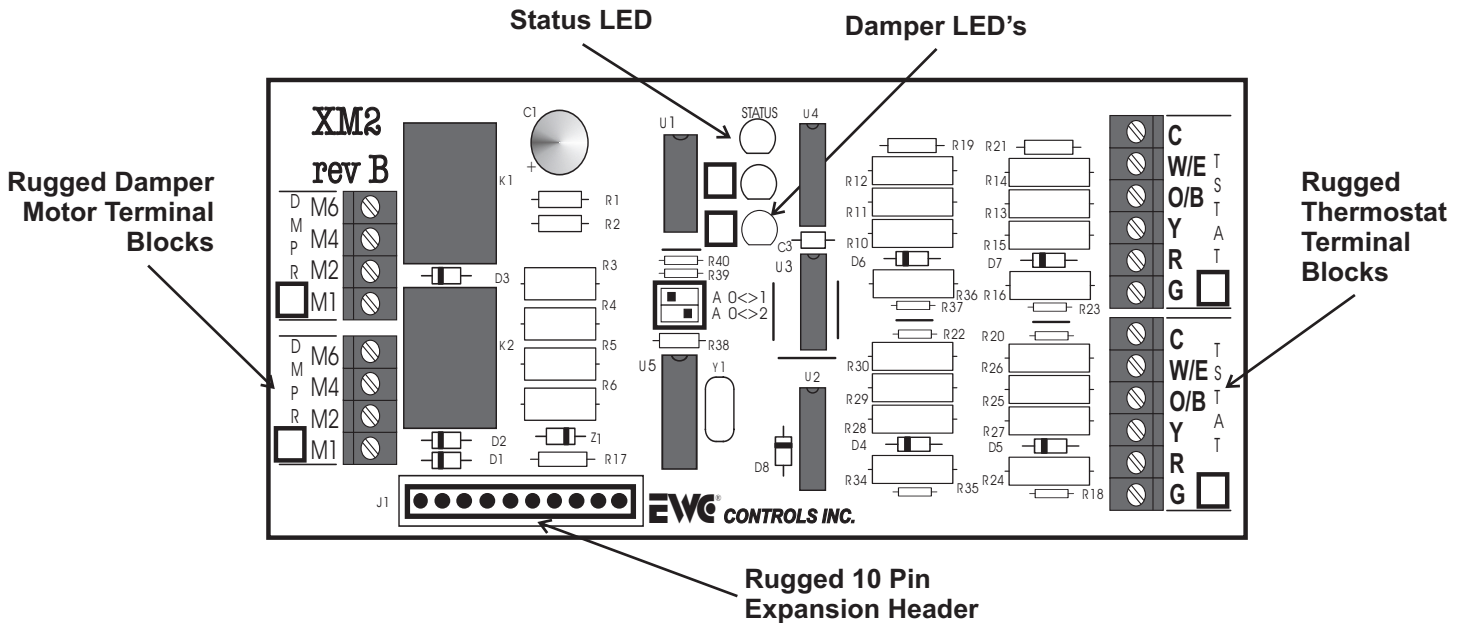


The advanced **XM2 Expansion Module** allows you to easily add additional zones to the BMPlus 3000 Zone Control System. You can gain up to 4 additional zones for a total of 7. The robust and superior design, intuitive firmware, simple setup options, and easy to understand wiring, makes the BMPlus Zoning system the Contractors dream. Combined with EWC motorized dampers and practically any off-the-shelf thermostat, EWC Controls once again proves to be the innovative leader in the residential & light commercial Forced Air Zoning industry.



Model XM2 Expansion Module

Automatic Heat/Cool Changeover

The XM2 Expansion features automatic changeover from any thermostat allowing for individual zone comfort from the HVAC system.

Compatible Thermostats

Compatible with any off the shelf Heat Pump Thermostat (2heat/1cool). You may also use any regular Heat/Cool thermostat (1heat/1cool). You may still use regular Heat/Cool thermostats to control a Heat Pump system.

Operating Power

INPUT VOLTAGE: 19-30VAC 60 Hz, Supplied via bus cable from BMPlus3000
CURRENT DRAW: Max 7VA @ 24VAC.

Zone Capacity

The XM2 Expansion Module can add up 2 or 4 zones on with 1 or 2 expansion modules with a BMPlus Zone control system.

Status LED

The STATUS LED pulses as a steady heart beat to indicate active Micro-processor status.

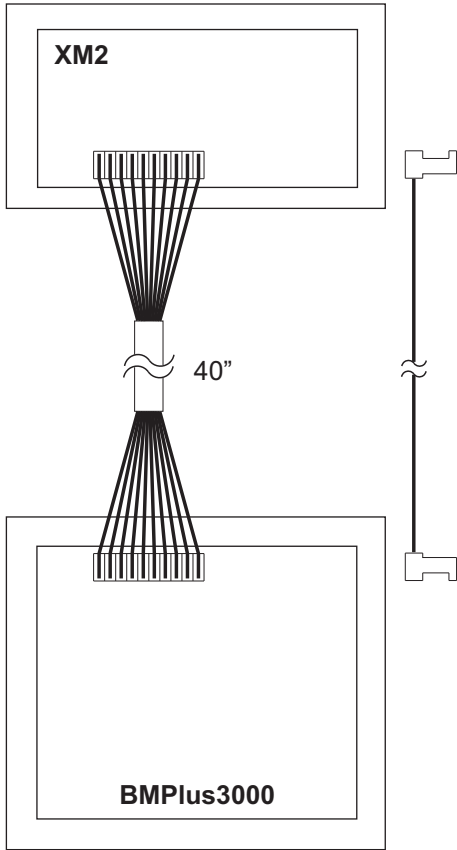
Damper LEDs

LEDs indicate which dampers are open.

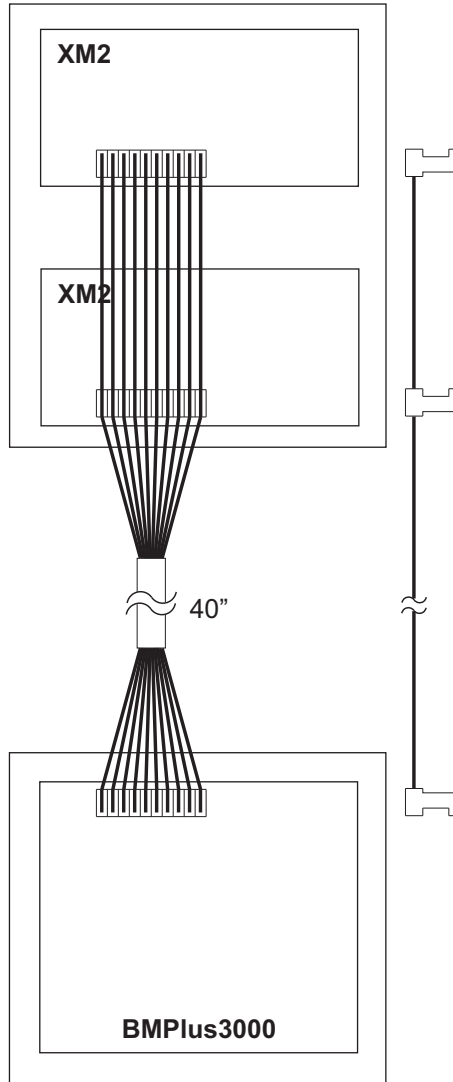
Operating Conditions

TEMPERATURE: -20° to 160°F (-29° to 71°C)
HUMIDITY: 0% - 95% RH Non-Condensing.

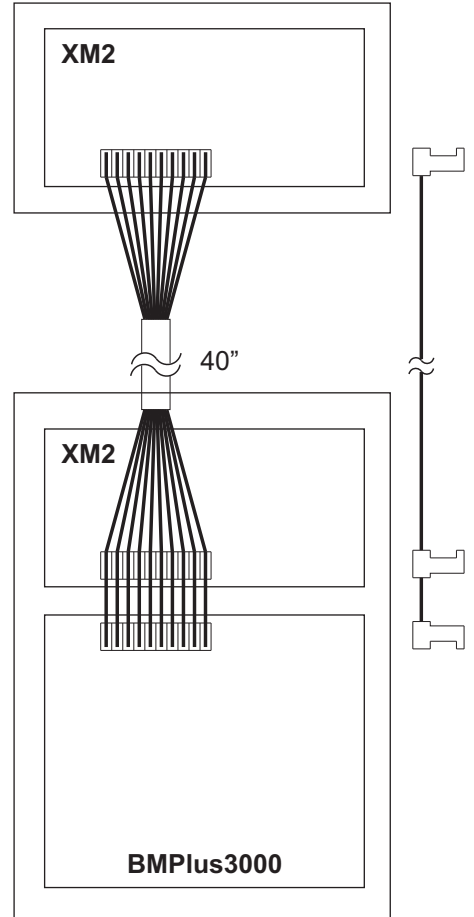
FIELD BUS CABLE CONFIGURATIONS



A BMPlus3000 expanded into a BMPlus5000 with a single XM2 in a separate housing



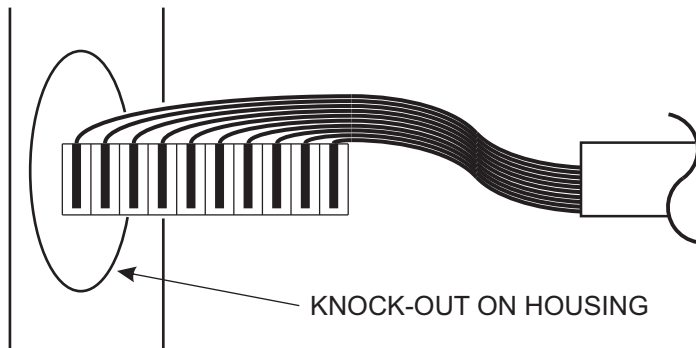
A BMPlus3000 expanded into a BMPlus7000 with two XM2's in a separate housing



A BMPlus5000 in a single housing expanded to a BMPlus7000 with a single XM2 in a separate housing

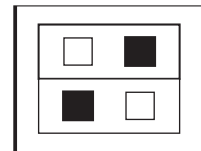
FIELD BUS CABLE ROUTING

TO PASS THE BUS CABLE THROUGH THE KNOCK OUTS OF THE HOUSING, FOLD THE 10-PIN HEADER AGAINST THE CABLE SO IT WILL FIT EASILY.

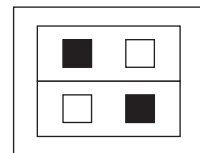


FIELD BUS CABLES ARE ROUGHLY 40" IN LENGTH, SECURE CABLE AS NECESSARY.

DIP SWITCH SETTINGS



DIP switch settings for 2nd Expansion panel. Zones 6 & 7



DIP switch settings for 1st Expansion panel. Zones 4 & 5